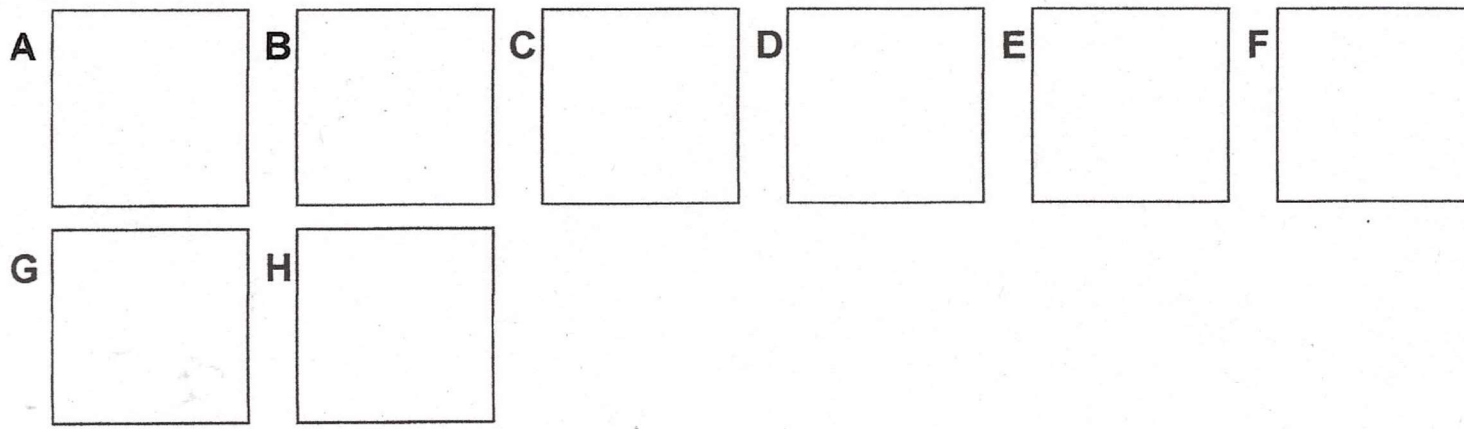


My Swatches



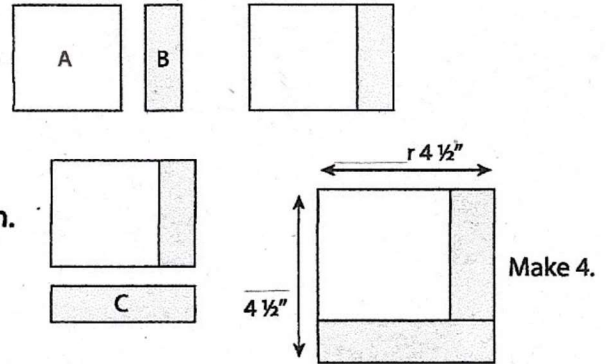
Piecing Instructions

Step 1

Sew a B rectangle to one side of an A square as shown.
Press towards the B rectangle.

Sew a C rectangle to the bottom of the A/B unit as shown.
Press towards the C rectangle.

Repeat to make 4 corner units measuring
 $4\frac{1}{2}$ " (12" block).

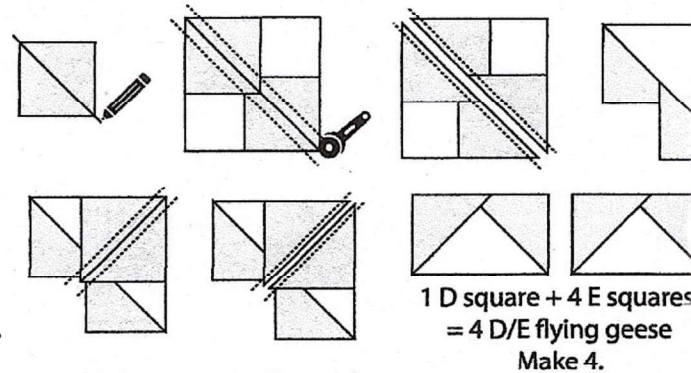


Step 2

On the wrong side of each E square, draw a line from one corner to the opposing corner as shown.

With right sides together, align 2 E squares in opposite corners of the D square as shown.

Stitch a scant $\frac{1}{4}$ " seam on both sides of the drawn line.
Cut the square apart on the line to yield 2 partial flying geese units, and press the seams to the E triangles.



With right sides together, align another E square in the corner of the D triangle as shown.

Stitch a scant $\frac{1}{4}$ " seam on both sides of the drawn line. Cut the square apart on the line to yield 2 complete flying geese units, and press the seams to the E triangles.

Repeat to make 4 D/E flying geese units. Trim to $2\frac{1}{2}$ " x $4\frac{1}{2}$ " (12" block).

Step 3

Using the F and G squares, repeat Step 2 make 4 F/G flying geese units.

Trim to $2\frac{1}{2}$ " x $4\frac{1}{2}$ " (12" block).

